



## FB201 Manual Focus Block



The FB201 from Prior Scientific is a manual focus block, ideal for OEM applications requiring manual, fine focus adjustments. Rack and pinion mount allows smooth, precise focussing over 29 mm of travel. A large coarse focus mechanism incorporates a slip clutch and focus adjustment. Fine focus adjustment control is graduated in two micron divisions throughout the fine focus range. The focus block can be easily adapted to various mounting configurations.

For motorised variants of this product, please see the FB203.

### Specifications

Specification	Value
Maximum Travel Range	29 mm
Load Capacity	5 kg
Resolution (per full rotation of fine focus)	220 microns

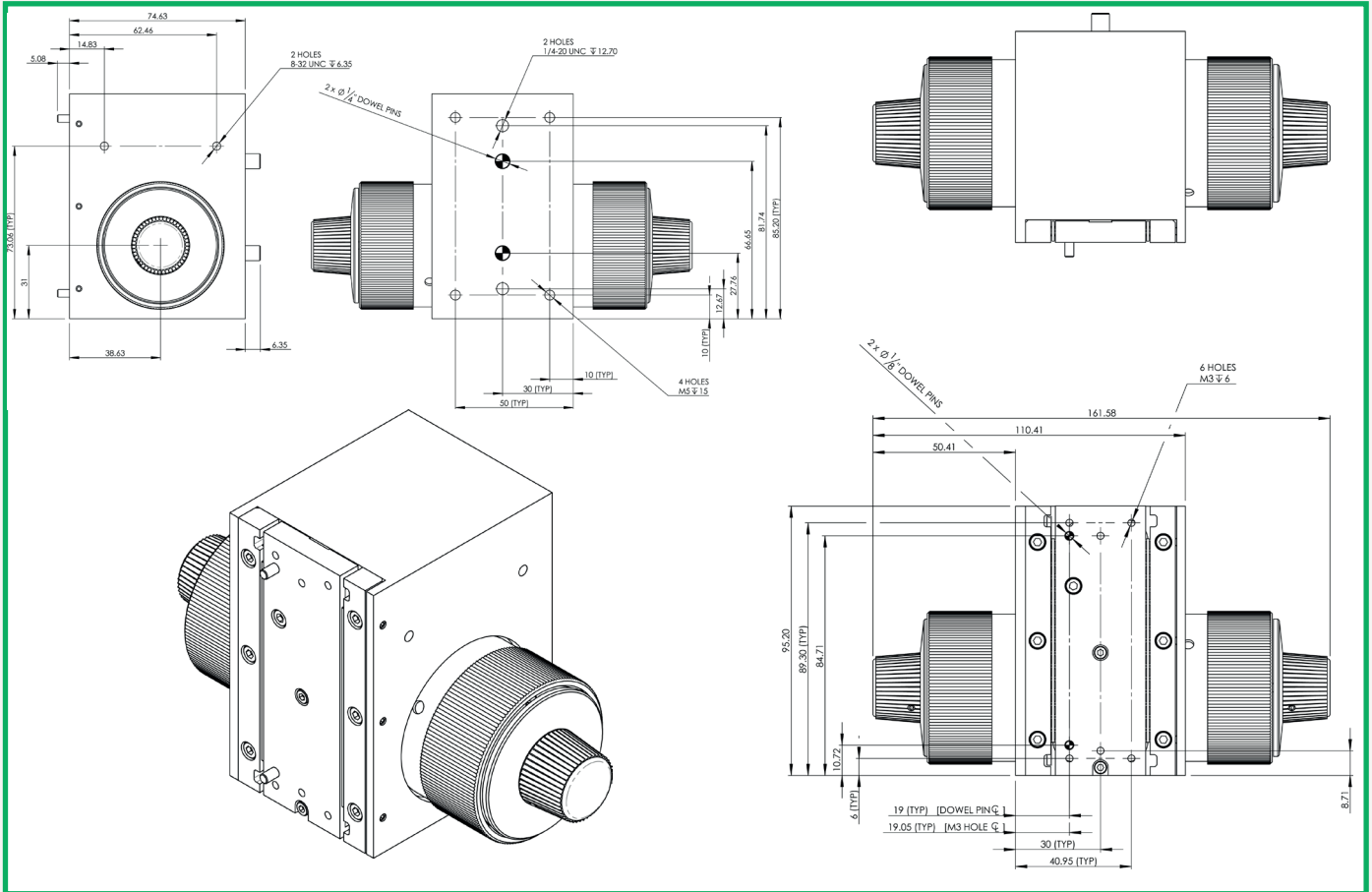
### Ordering Information

Code	Description
FB201	Manual Focus Block

## FB201

Manual Focus Block

### Dimensions



**Prior Scientific Ltd**

3-4 Fielding Industrial Estate • Wilbraham Road • Fulbourn • Cambridge • CB21 5ET • UK

t: +44 (0)1223 881711 • e: [uksales@prior.com](mailto:uksales@prior.com) • [www.prior-scientific.co.uk](http://www.prior-scientific.co.uk)



FM 61600



**Prior Scientific Inc**

80 Reservoir Park Drive • Rockland • MA. 02370 • U.S.A.

t: +1 781-878-8442 • e: [info@prior.com](mailto:info@prior.com) • [www.prior-us.com](http://www.prior-us.com)

Registered Address: Units 3/4 Fielding Industrial Estate • Wilbraham Road • Fulbourn • Cambridge • CB21 5ET • United Kingdom Registered in England 404087